

EYS series sealing fittings prevent the passage of gas, vapours or flames through the pipe system in the electrical installation.

They are used for vertical mounting and available in two different shapes, the first for dimensions less than 1", and the second up to 3" with an additional lateral opening for an easy introduction of the fiber. The sealing fittings must be installed as close as possible to the Ex d junction box and in accordance with the standard EN60079-1. They must be filled only with CRV420 resin that has to be requested in the amount indicated in the table. It is not allowed the use of other types of sealing compound.



Classification: 2014/34/UE	Group II	Category 2GD
Installation: EN 60079.14	zone 1 - zone 2 (Gas)	zone 21 - zone 22 (Dust)
Marking:	CE 0722 Ex II 2 GD Ex db IIC Gb Ex tb IIIC Db IP66	
Certification:	ATEX	CESI 03 ATEX 085X
	IECEX	IECEX CES 14.0019X

All IEC Ex certification data can be downloaded at www.cortemgroup.com

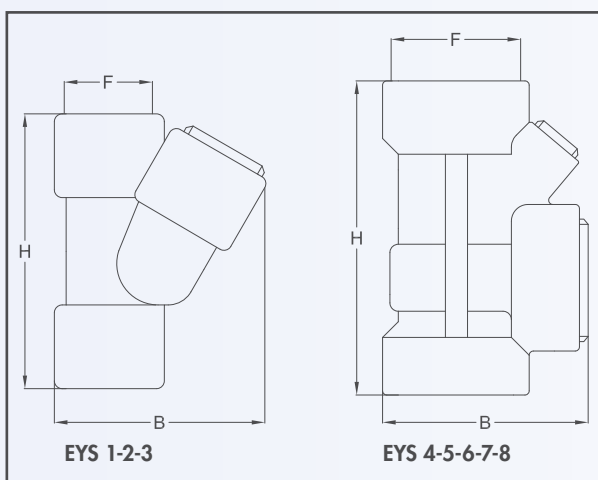
Standards:	CENELEC EN 60079-0: 2012, EN 60079-1: 2014, EN 60079-31: 2014 and EUROPEAN DIRECTIVE 2014/34/UE IEC60079-0: 2011, IEC60079-1: 2015-06, IEC60079-31: 2013 Directive RoHS 2002/95/CE
-------------------	---

Ambient Temp. (EYS):	-20°C +100°C
-----------------------------	--------------

Operating temperature:	-20°C +100°C
-------------------------------	--------------

Degree of protection:	IP66
------------------------------	------

Certificates are available on www.cortemgroup.com



SELECTION TABLE OF EYS VERTICAL SEALING FITTINGS					
Code In aluminium	Thread	Dimensions in mm		Amount of resin gr	Weight Kg
		F	H		
EYS1	1/2" ISO 7/1	77	56	35	0,097
EYS2	3/4" ISO 7/1	87	66	50	0,147
EYS3	1" ISO 7/1	105	82	100	0,242
EYS4	1 1/4" ISO 7/1	145	84	240	0,576
EYS5	1 1/2" ISO 7/1	145	84	240	0,528
EYS6	2" ISO 7/1	150	95	380	0,643
EYS7	2 1/2" ISO 7/1	200	134	1250	1,580
EYS8	3" ISO 7/1	200	134	1250	1,480

TECHNICAL NOTES:

- Available also with NPT thread (example code EYS2N)
- Available upon request in stainless steel. Contact our Sales Office for availability.